



Smartair Electronic Lock


TESA Smartair proximity electronic locks are elements integrated in the access control system, which are easy to use and intuitive, efficient and easy to install, ideal for new builds or replacement market.

Functionality

- Unlocks the door via proximity credential.
- Autonomous operation, wireless installation. Battery powered.
- All of the control elements can be found inside, except the reading module, offering greater security against vandalism.
- When the lock does not open, the external handle turns freely. Preventing the possibility of being forced open.
- Narrow design: Enables it to be installed on all kinds of doors.
- Offers read and write functionality: Via the credential the events can be collected and the modifications in the user's locking plan can be dumped in the lock.
- It can incorporate a mechanical cylinder for emergency opening.

Electronic Technical Characteristics

Reader Module

- Read/write contactless chip identification technology RFID 13.56MHz ISO14443A Phillips MIFARE CLASSIC 1K and 4K and ULTRALIGHT.
- Activation Mode: The lock is activated without the need to make any previous contact. Energy efficient.
- Reading distance: 10 mm with standard credentials.
- In the reader module there is a connection jack to the portable programmer.
- Compatible with mobile phones NFC (Near Field Communication).
- Red and green warning LED.  Different warnings: Access authorised or denied, battery low level, etc.

Control Unit

- Non-volatile memory.
- It can be programmed to operate in 3 modes:
 - Normal mode: 1500 users and 600 events.
 - Extended mode: 1000 users and 1000 events.
 - High traffic door: unlimited number of users filtered into 48 groups (permissions). Stores 1000 events.
- Real-time clock and calendar. 14 time zones with 5 time periods each.

- Operating modes.
 - Free access: The lock is always open
 - Standard: Default operating mode. Credentials must be placed close.
 - First user: lock in passageway after first access of an authorised user.

Battery Module

- Type of batteries: 3 LR03 AAA 1.5V alkaline batteries.
- Estimated duration: 40,000 - 50,000 operations or 3 years
- Changing the batteries is easy and simple: No need to disassemble the lock.

Operating conditions

- Humedad: hasta 85% sin condensación.
- Temperatura: en el lado exterior de -20°C hasta 70°C; en el lado interior de 0°C hasta 50°C.
- Certificado fuego: 30', 60' y 90' UNE-EN 1634:2000.
- IP54.

Mechanical Technical Characteristics

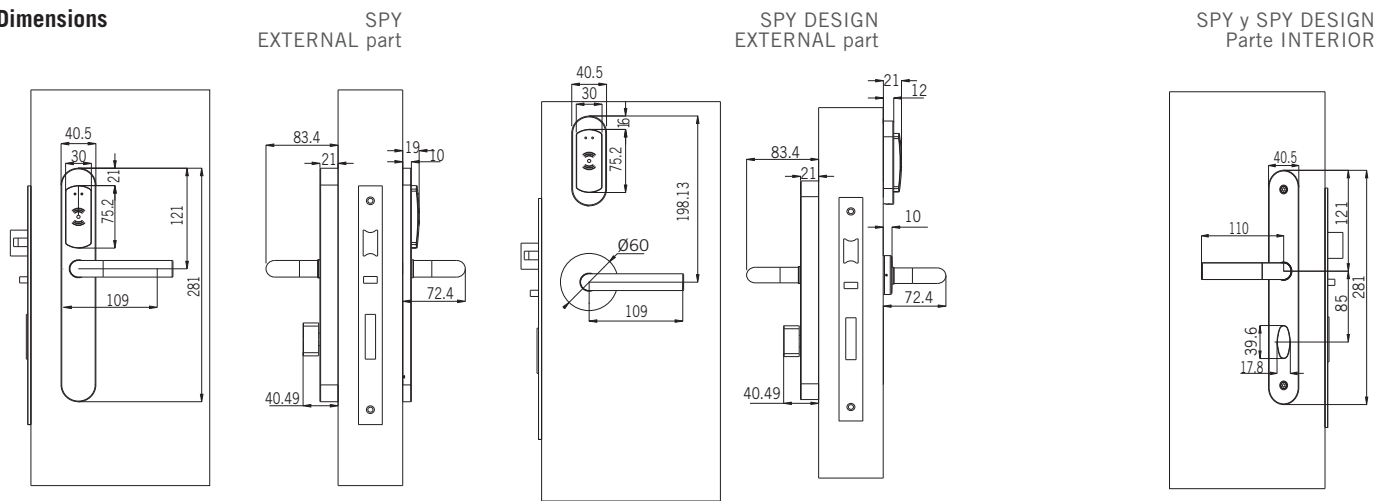
Blocking Mechanism

- Motorised Clutch which acts on the square bar that holds the outside handle.
- Lock with no clutch engaged: Handle turns freely: access denied.
- Lock with clutch engaged: Turning the handles drags the square bar which extracts the latch from the mortise lock.

Technical Specifications

Smartair Electronic Lock
January 2010

Dimensions



Mortise Lock

- Compatible with standard European mortise locks with different distances between axes (from 70mm to 105mm).
- Panic function, on turning the inside handle the door opens instantly.

Door width

- For doors from 33 to 110mm thick. The lock's square bars have different lengths depending on the thickness of the door. It is necessary to provide the X and Y measurements.

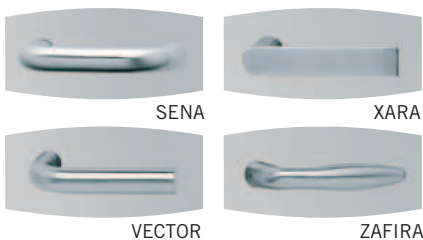
Models and Dimensions

Two aesthetically different models:

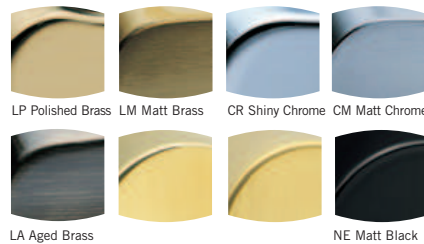
- Long plate lock.
- Design Lock.

Handles

Tesa offers a great selection of handles which adapt to all kinds of doors and styles.



Finishes



Credentials

- Read/write contactless chip identification technology RFID 13.56MHz ISO14443A Phillips MIFARE CLASSIC 1K and 4K and ULTRALIGHT
- The identification element can be a card, a key-ring, a bracelet, etc.
- Possibility of being incorporated in other medium with other technologies, cards with magnetic strip, contact chip, proximity 125 kHz, etc.
- Great resistance to weather, knocks, water, dust, extreme temperatures
- The lack of contact between the chip and the reader provides greater durability and low maintenance costs



Adaptability

- The ST electronic lock can be installed with other mortise locks and handles on the market. Ideal for RETROFIT operations where you want to keep part of the installation.